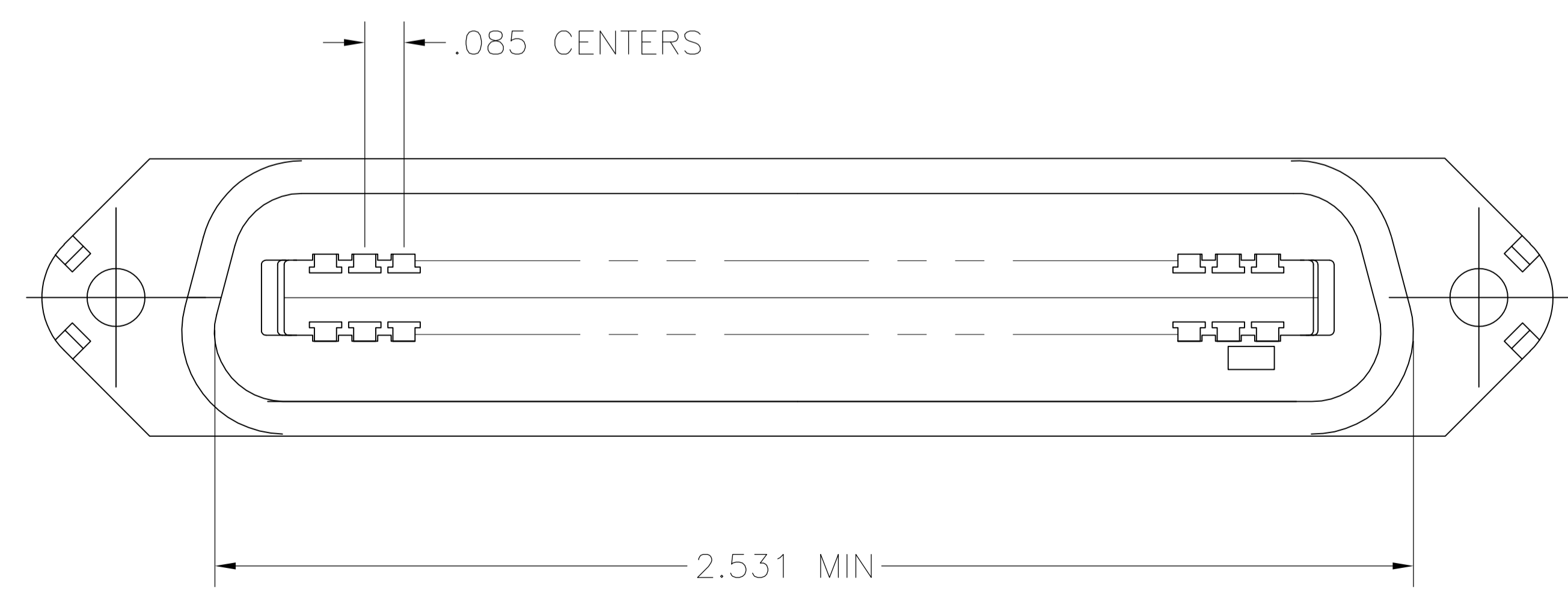
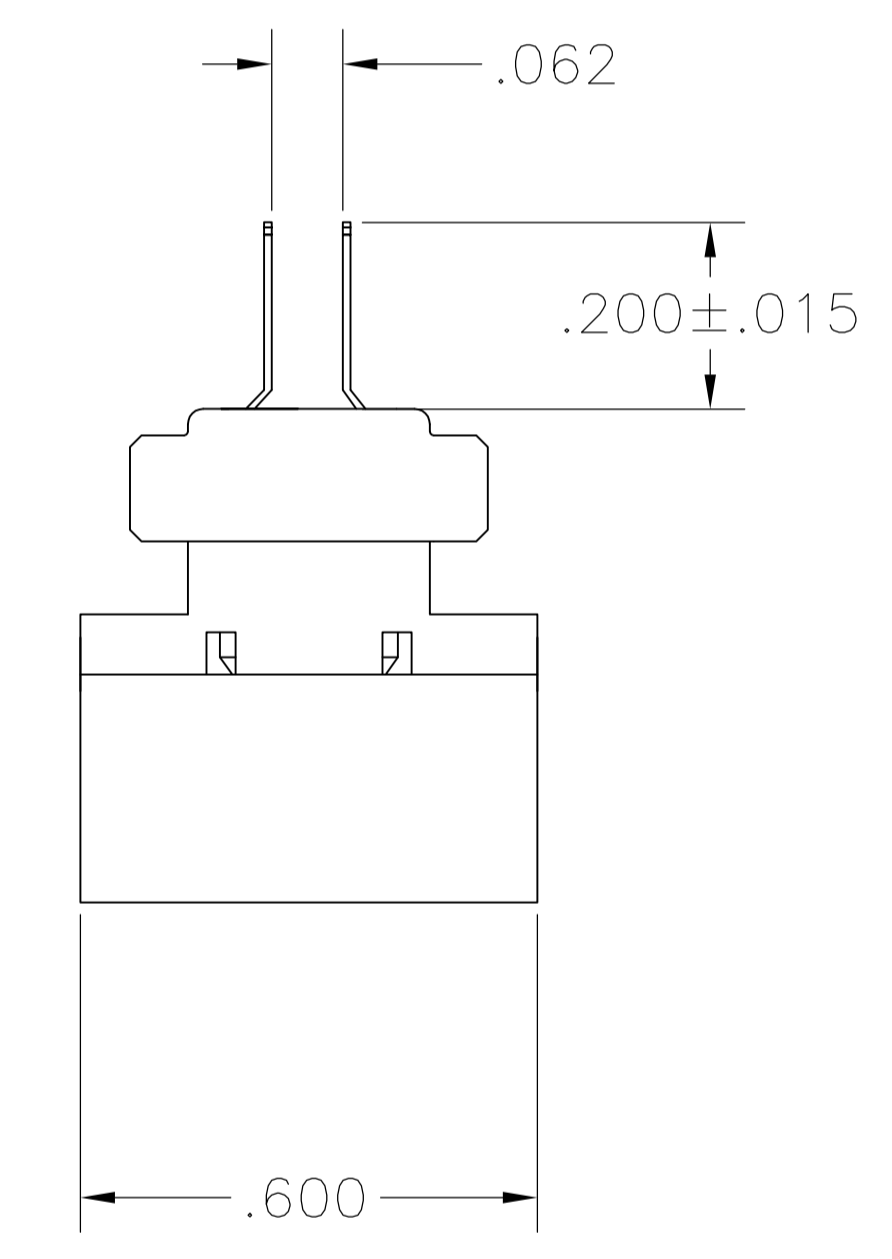
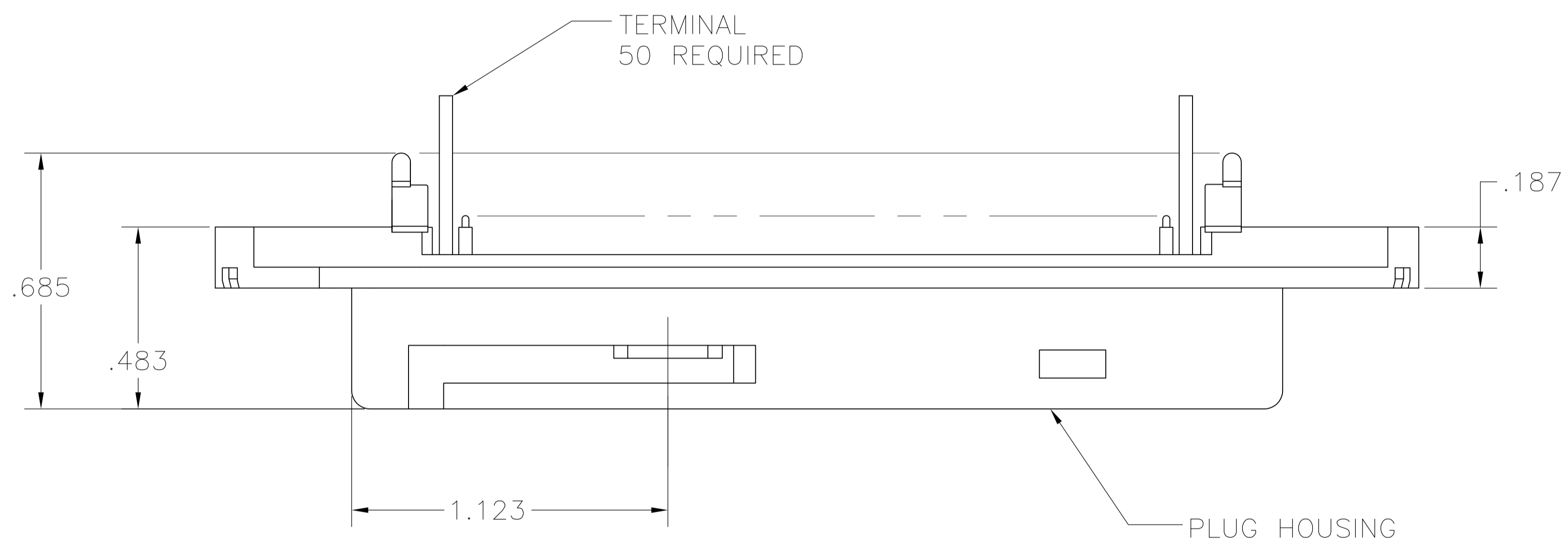


1. THE CONTACT SURFACES OF THE TERMINALS ARE COATED WITH LUBRICANT.
2. MATERIAL: HOUSING - THERMOPLASTIC, BLACK. TERMINAL - PHOS BRONZE PLATED WITH EITHER .000030 MINIMUM GOLD PLATE OR GOLD FLASH OVER PALLADIUM NICKEL PLATE, .000030 MINIMUM TOTAL ON MATING SURFACE. .000120 MINIMUM TIN-LEAD PLATE ON TAILS OVER .000050 MINIMUM NICKEL UNDERPLATE OVER ENTIRE TERMINAL.
3. ALL DIMENSIONS SHOWN ARE FOR REFERENCE ONLY UNLESS OTHERWISE SPECIFIED.



552126-1
PART NUMBER

THIS DRAWING IS A CONTROLLED DOCUMENT.		DIN Z. REAM 9/MAR/07	Tyco Electronics Corporation Tyco Electronics Harrisburg, PA 17105-3608	
DIMENSIONS: INCHES		CHK: W. MILLHIMES 9/MAR/07	NAME: PLUG ASSY, 50 POSN, EDGE MTG, CHAMP-LOK	
TOLERANCES UNLESS OTHERWISE SPECIFIED:		APVD: W. MILLHIMES 9/MAR/07	APPLICATION SPEC: -	
0. PLC ± -	1. PLC ± -	PRODUCT SPEC: -	SIZE: A1	CAGE CODE: 00779
2. PLC ± -	3. PLC ± -	RESTRICTED TO: -	DRAWING NO: C=552126	SCALE: 4:1
4. PLC ± -	ANGLES ± -	WEIGHT: -	SHEET: 1 OF 1	REV: K
MATERIAL: 2		FINISH: 2		CUSTOMER DRAWING